

SNB SERIES

Standing Network Rack 24U, 37U, 42U and 47U Sizes

Safewell SNB series network rack specially designed for network servers of high density in IT environment. With accessories of bracket, cable manager, PDU fixing slot, high quality locks, supply safe place for important IT equipment.



Highlights

Optional Doors

Various doors optional, glass, vented or solid doors.

Easy Transportation

SNB series network cabinet can be shipped in knock-down packing, which will save 2/3 space than assembled packing.

More Space For Cable Management

Vertical installation metal management in 800mm wide rack provide more space for network cable management.

High Loading Capacity

Static loading capacity up to 800KG.

Features



The tempered front glass door with advanced lock.



Solid iron rear door with small round lock and more types doors are also optional. Lockable and removable side panels, the side panel lock is optional.



Optional Fan tray (2 fans for 600mm, 4 fans for 800mm or 1000mm deep rack) allow air flow in the cabinet.

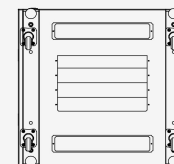
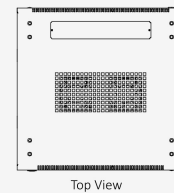
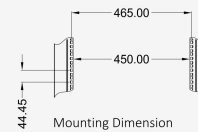
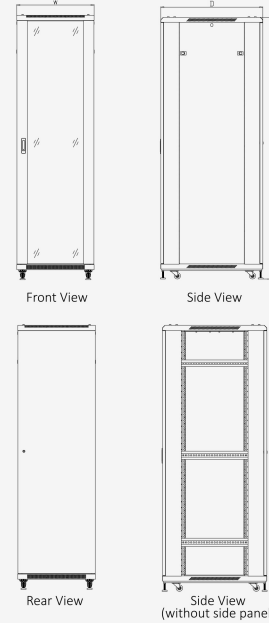


Easy structure for assembly will shorten your work period.

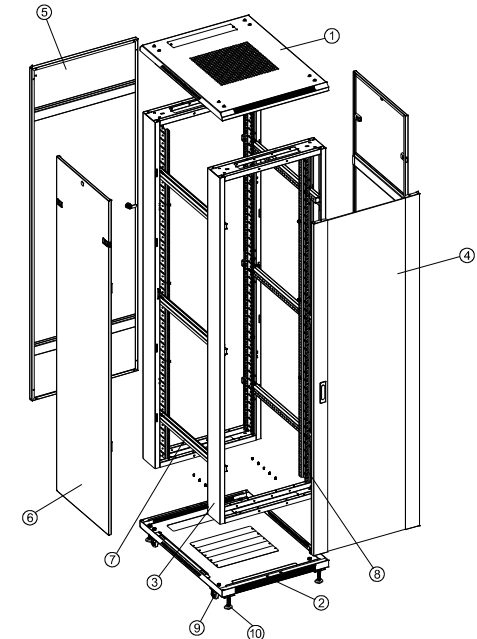


Adjustment is quick and convenient can slide them to the required depth and refasten.

Main Dimension



Components of SNB(600mm Width) Series Standing Network Rack

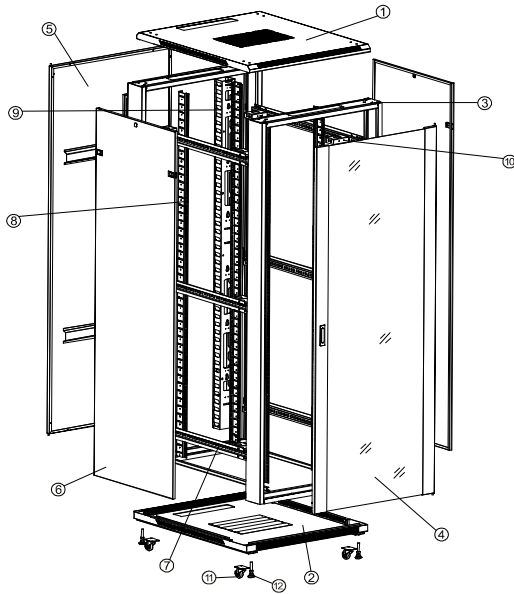


S/N	Name	Quantity
1	Top cover	1
2	Bottom panel	1
3	Door frame	2
4	Front door	1
5	Rear door	1
6	Side panel	2
7	Horizontal beam	6
8	Vertical rail	4
9	Castor(2 with brake)	4
10	Levelling feet	4

Note

≤32U with 4 horizontal beams.	>32U with 6 horizontal beams.
Side panel with small round lock.	

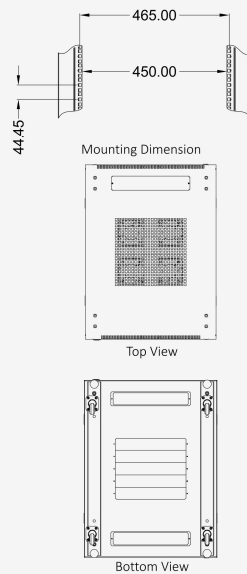
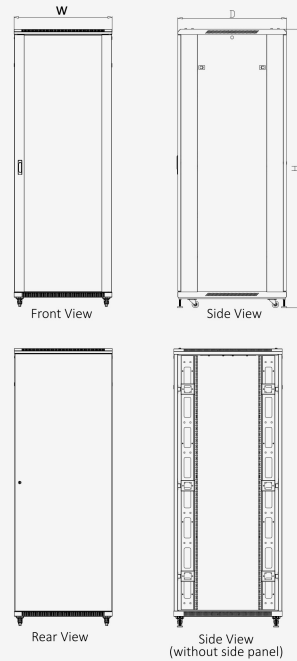
Components of SNB(800mm Width) Series Standing Network Rack



S/N	Name	Quantity
1	Top cover	1
2	Bottom plate	1
3	Door frame	2
4	Front door	1
5	Rear door	1
6	Side panel	2
7	Horizontal beam	6
8	Vertical rail	4
9	Cable management rail	2
10	Connecting box	12
11	Castor (2 with brake)	4
12	Levelling feet	4

Note	≤32U with 4 horizontal beams, >32U with 6 horizontal beams.
	≤32U with 8 connecting boxes, >32U with 12 connecting boxes.
	Vertical cable management included for 800mm wide SNB network rack.

Main Dimension

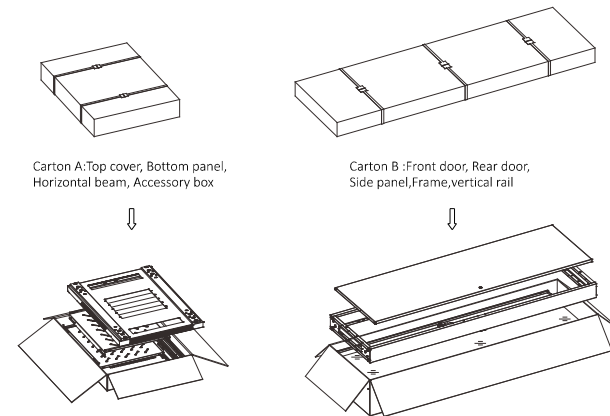


Specifications

Model	Capacity (U)	Dimension W*D*H(mm)	BU Packing Dimension		KD Packing Dimension			
			W*D*H(mm)	Volume (CBM)	Carton A W*D*H(mm)	Carton B W*D*H(mm)	Carton C W*D*H(mm)	Volume (CBM)
SNB6618	18	600*600*988	620*620*1000	0.3844	920*620*320	620*620*130	/	0.233
SNB6622	22	600*600*1166	620*620*1180	0.453592	1100*620*320	620*620*130	/	0.268
SNB6822	22	600*800*1166	620*820*1180	0.599912	1100*620*320	620*820*130	/	0.284
SNB6627	27	600*600*1388	620*620*1400	0.53816	1325*620*320	620*620*130	/	0.313
SNB6827	27	600*800*1388	620*820*1400	0.71176	1325*620*320	620*820*130	/	0.329
SNB6632	32	600*600*1610	620*620*1625	0.62465	1545*620*320	620*620*130	/	0.357
SNB6832	32	600*800*1610	620*820*1625	0.82615	1545*820*320	620*820*130	/	0.373
SNB6637	37	600*600*1833	620*620*1850	0.71114	1760*620*320	620*620*130	/	0.399
SNB6837	37	600*800*1833	620*820*1850	0.94054	1760*620*320	620*820*130	/	0.415
SNB8837	37	800*800*1833	820*820*1850	1.24394	1760*820*320	820*820*130	/	0.437
SNB6137	37	600*1000*1833	620*1020*1850	1.16994	1760*620*320	620*1020*130	1690*60*730	0.505
SNB6642	42	600*600*2055	620*620*2070	0.795708	1980*620*320	620*620*130	/	0.443
SNB6842	42	600*800*2055	620*820*2070	1.052388	1980*620*320	620*820*130	/	0.459
SNB8842	42	800*800*2055	820*820*2070	1.391868	1980*820*320	820*820*130	/	0.480
SNB6142	42	600*1000*2055	620*1020*2070	1.309068	1980*620*320	620*1020*130	1910*60*730	0.475
SNB8142	42	800*1000*2055	820*1020*2070	1.731348	1980*820*320	820*1020*130	/	0.502
SNB6647	47	600*600*2277	620*620*2290	0.880276	2205*620*320	620*620*130	/	0.487
SNB6847	47	600*800*2277	620*820*2290	1.164236	2205*820*320	620*820*130	/	0.504
SNB8847	47	800*800*2277	820*820*2290	1.539796	2205*820*320	820*820*130	/	0.525
SNB6147	47	600*1000*2277	620*1020*2290	1.448196	2205*620*320	620*1020*130	2135*60*730	0.581
SNB8147	47	800*1000*2277	820*1020*2290	1.915356	2205*820*320	820*1020*130	/	0.546

Note	Different kinds of doors are optional.	Ornament strip is optional.
	Hardware: ≤27U:20 sets cage nuts; >27U, ≤37U: 30 sets cage nuts; >37U, ≤47U: 40 sets cage nuts.	
Color	RAL9005	RAL7035
Material	SPCC Cold Rolled Steel.	

Knock-down Packaging



Optional Doors



A. Tempered glass door, with vented strips. Lock: Spring Lock
 B. Tempered glass door, with vented holes. Lock: Spring Lock
 C. Tempered glass door. Lock: Advanced Lock
 D. Solid iron door. Lock: Small Round Lock
 E. Arc and curved door. Lock: Spring Lock
 F. Hexagonal vented curved door. Lock: Spring Lock



G. Round vented arc door. Lock: Spring Lock
 H. Round vented door. Lock: Small round Lock
 I. Round vented door. Lock: Advanced Lock
 J. Hexagonal vented door. Lock: Moon Light Lock
 K. Split vented rear door. Lock: Moon Light Lock
 L. Tempered glass door. Lock: Advanced Lock

Compatible Accessories for SNB Standing Network Rack

Shelf.....Page99



Model	Description
SWSHELF4P-350	Fixed shelf for 600mm depth SNB rack
SWSHELF4P-550	Fixed shelf for 800mm depth SNB rack
SWSHELF4P-650	Fixed shelf for 1000mm depth SNB rack
SWSSHELF-350	Sliding shelf for 600mm depth SNB rack
SWSSHELF-550	Sliding shelf for 800mm depth SNB rack
SWSSHELF-650	Sliding shelf for 1000mm depth SNB rack
SWSDRAWER-650	Sliding drawer for SNB network racks

Vertical Cable Manager...Page104



Model	Description
SWCABLEMNVRT27-SNB	Vertical cable manager for 27U 800mm wide SNB rack
SWCABLEMNVRT32-SNB	Vertical cable manager for 32U 800mm wide SNB rack
SWCABLEMNVRT37-SNB	Vertical cable manager for 37U 800mm wide SNB rack
SWCABLEMNVRT42-SNB	Vertical cable manager for 42U 800mm wide SNB rack
SWCABLEMNVRT47-SNB	Vertical cable manager for 47U 800mm wide SNB rack

Fan.....Page107



Model	Description
SWSNBFANTRAY2-600	2 Fan tray for SNB 600mm depth rack
SWSNBFANTRAY4-800	4 Fan tray for SNB 800mm depth rack
SWSNBFANTRAY4-1000	4 Fan tray for SNB 1000mm depth rack

Base.....Page111



Model	Description
SWBASE-66	600mm width*600mm depth SNB rack
SWBASE-68	600mm width*800mm depth SNB rack
SWBASE-61	600mm width*1000mm depth SNB rack
SWBASE-88	800mm width*800mm depth SNB rack
SWBASE-81	800mm width*1000mm depth SNB rack

Note: Other regular 19 inch accessories which is used to all racks (shelf, cable manager, fans, blank panel, patch panel and PDU), please refer to page 99 to page 112.